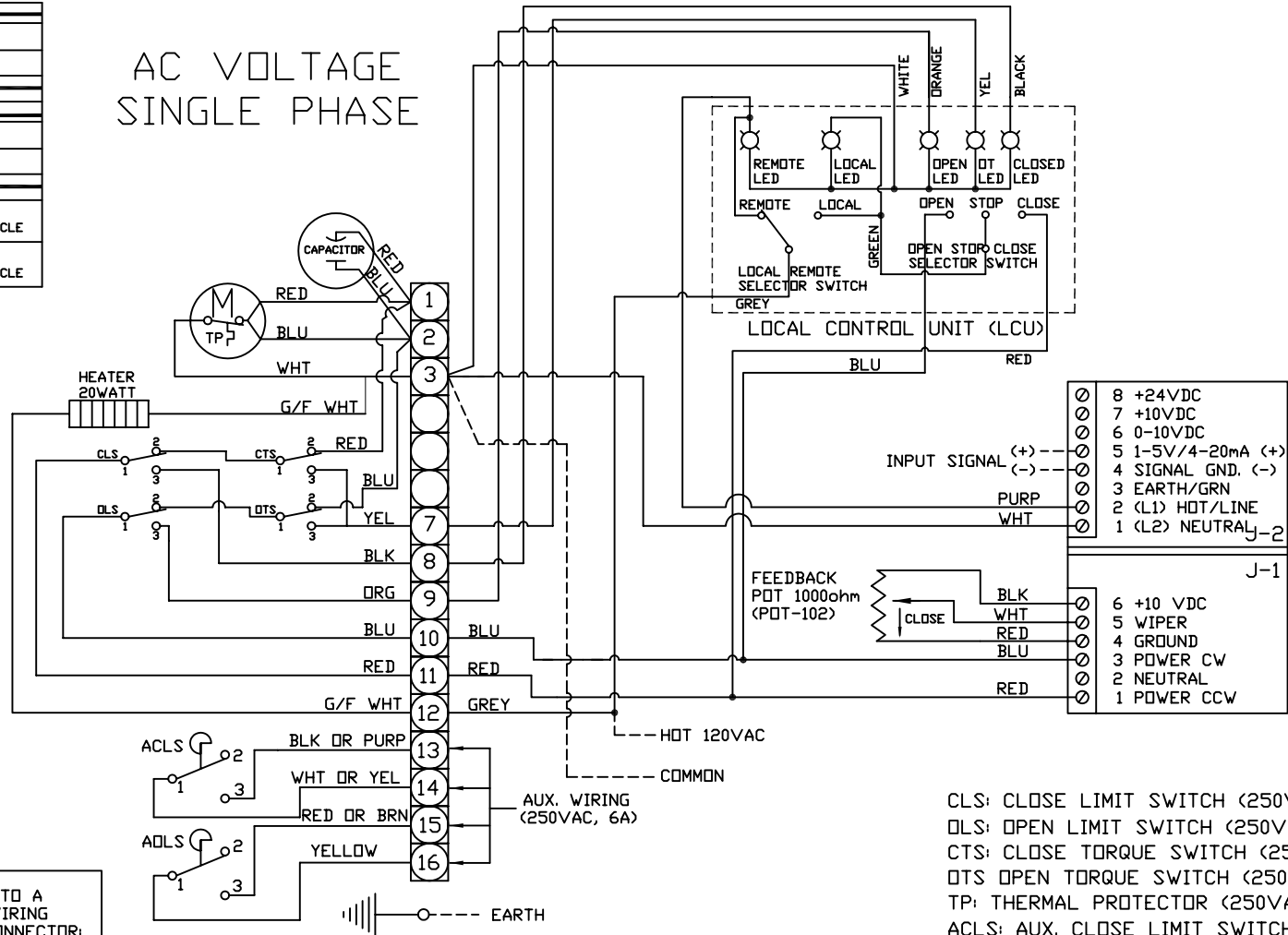


	CLOSE	OPEN
CLS 1-2		
CLS 1-3		
DLS 1-2		
DLS 1-3		
ACLS 1-2		
ACLS 1-3		
ADLS 1-2		
ADLS 1-3		
CTS 1-3	CLOSING TORQUE SWITCH INTERRUPTS CONTROL IF MECHANICAL OVERLOAD OCCURS DURING CLOSING CYCLE	
DTS 1-3	OPENING TORQUE SWITCH INTERRUPTS CONTROL IF MECHANICAL OVERLOAD OCCURS DURING OPENING CYCLE	

AC VOLTAGE SINGLE PHASE



8	+24VDC
7	+10VDC
6	0-10VDC
5	1-5V/4-20mA (+)
4	SIGNAL GND. (-)
3	EARTH/GRN
2	(L1) HOT/LINE
1	(L2) NEUTRAL

J-1

6	+10 VDC
5	WIPER
4	GROUND
3	POWER CW
2	NEUTRAL
1	POWER CCW

TERMINAL POINTS 4, 5 AND 6 DISCONTINUED ON UNITS MFG. AFTER 5/02.

WHEN CONVERTING A DIRECT ACTING ACTUATOR TO A REVERSE ACTING ACTUATOR, TWO CHANGES IN WIRING MUST BE MADE ON SERVO BOARD AT THE J-1 CONNECTOR:

- 1-REVERSE THE FEEDBACK POTENTIOMETER WIRES CONNECTED AT POINTS 4 AND 6.
- 2-REVERSE THE MOTOR OUTPUT WIRES CONNECTED AT POINTS 1 AND 3.

NOTE: DO NOT REVERSE THE INPUT SIGNAL POLARITY. ALSO, MAKE SURE THAT BOTH WIRING CHANGES ARE MADE - IF ONLY ONE IS MADE, THE ACTUATOR WILL RUN TO EITHER FULL OPEN OR FULL CLOSE.

AFTER THE WIRING CHANGES HAVE BEEN MADE, REFER TO CALIBRATION FOR SETTING THE ZERO AND SPAN.

- CLS: CLOSE LIMIT SWITCH (250VAC 6A)
- DLS: OPEN LIMIT SWITCH (250VAC 6A)
- CTS: CLOSE TORQUE SWITCH (250VAC 6A)
- DTS: OPEN TORQUE SWITCH (250 VAC 6A)
- TP: THERMAL PROTECTOR (250VAC 6A)
- ACLS: AUX. CLOSE LIMIT SWITCH (250VAC 6A)
- ADLS: AUX. OPEN LIMIT SWITCH (250VAC 6A)

NOTE : ----- DENOTES CUSTOMER SUPPLIED ITEM

ABZ 150 THRU 250 WIRING DIAGRAM WITH LRC-101 SERVO BOARD/ LOCAL CONTROL UNIT/ AUX LIMIT SWITCHES

SCALE:	APPROVED BY:	DRAWN BY: EC
DATE: 5/3/06		REVISED: 09/11/07
ABZ VALVES & CONTROLS		
113 W. MAIN, MADISON, KS 66860		
DRAWING NUMBER: 17576DRS	REV.:	-