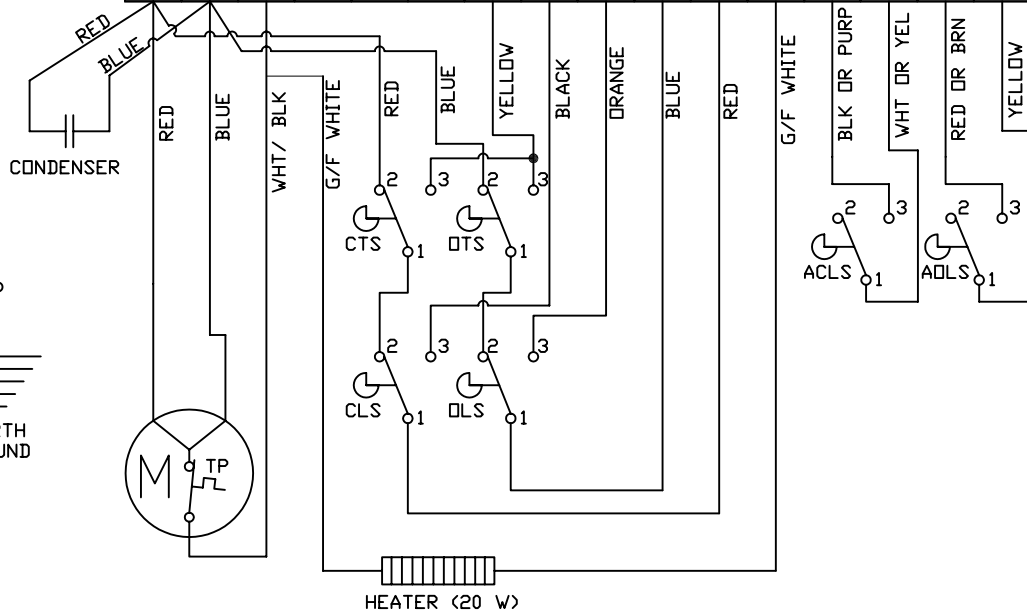
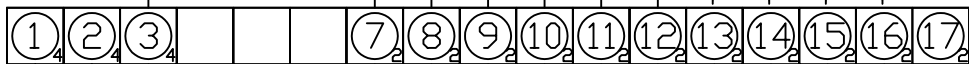


AC 1PH (XXX VXX)

OT OVER TORQUE LAMP
 C CLOSE LAMP
 O OPEN LAMP
 STOP
 CLOSE

AUX. WIRING
 (250VAC, 6A)

CUSTOMER'S WIRING
 ACTUATOR WIRING



	CLOSE	OPEN
CLS 1-2		
CLS 1-3		
DLS 1-2		
DLS 1-3		
ACLS 1-2		
ACLS 1-3		
ADLS 1-2		
ADLS 1-3		
CTS 1-3	CLOSING TORQUE SWITCH INTERRUPTS CONTROL IF MECHANICAL OVERLOAD OCCURS DURING CLOSING CYCLE	
DTS 1-3	OPENING TORQUE SWITCH INTERRUPTS CONTROL IF MECHANICAL OVERLOAD OCCURS DURING OPENING CYCLE	

- CLS: CLOSE LIMIT SWITCH (250VAC 6A)
- DLS: OPEN LIMIT SWITCH (250VAC 6A)
- CTS: CLOSE TORQUE SWITCH (250VAC 6A)
- DTS: OPEN TORQUE SWITCH (250 VAC 6A)
- TP: THERMAL PROTECTOR (250VAC 6A)
- ACLS: AUX. CLOSE LIMIT SWITCH (250VAC 6A)
- ADLS: AUX. OPEN LIMIT SWITCH (250VAC 6A)

✗ TERMINAL POINTS 4, 5 AND 6
 DISCONTINUED ON UNITS MFG.
 AFTER 5/02.

REFERENCED FROM DWG. NS-12000-A

ABZ 15 THRU RCEL 250 WIRING DIAGRAM
 W/ ALS

SCALE:	APPROVED BY:	DRAWN BY EC
DATE: 6/24/98		REVISED 7/10/02

ABZ VALVES & CONTROLS
 113 W. MAIN, MADISON, KS 66860

DRAWING NUMBER	REV
DRS14961	C