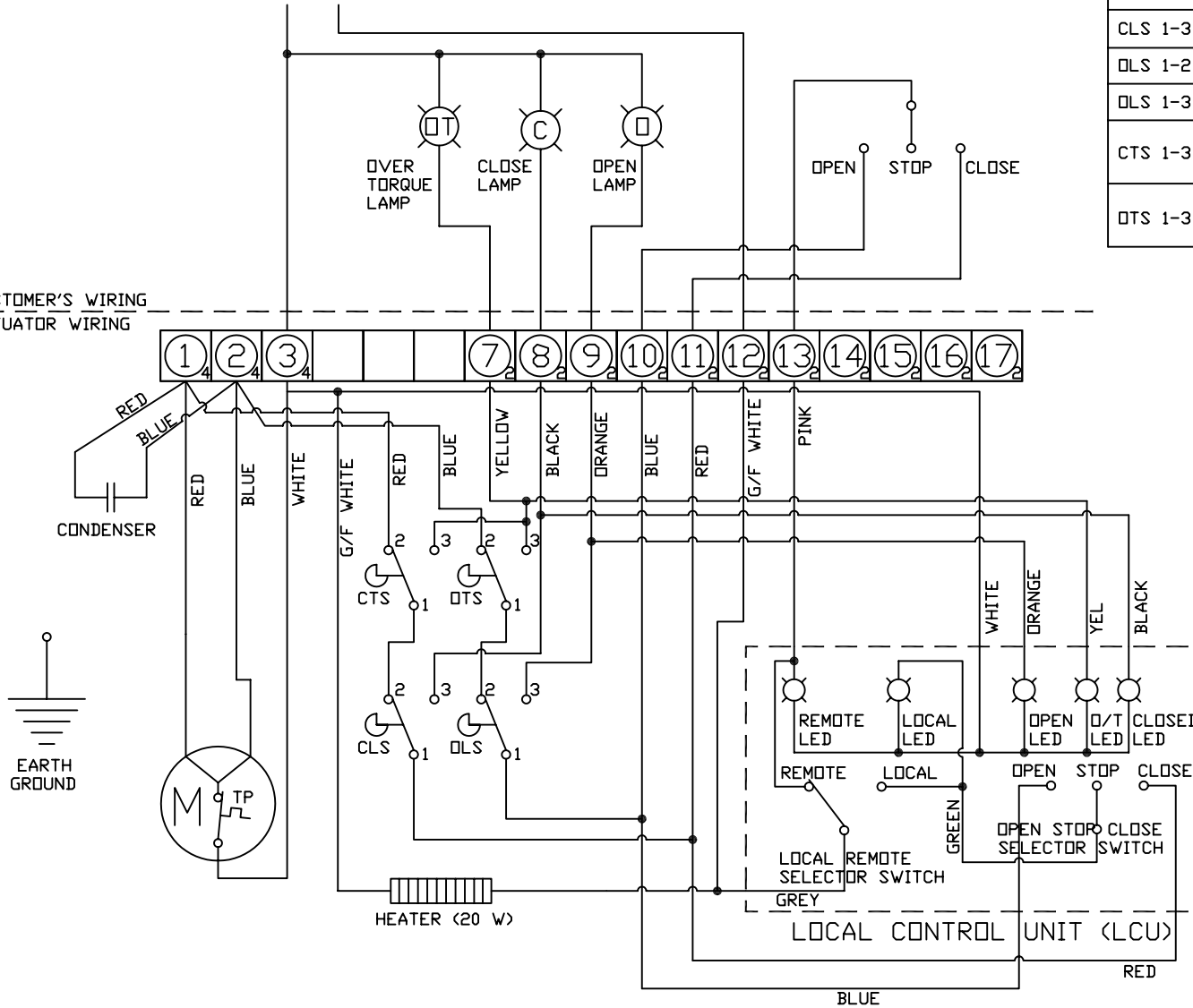


AC 1PH (XXX VXX)

CUSTOMER'S WIRING  
ACTUATOR WIRING



|         | CLOSE   | OPEN |
|---------|---|------|
| CLS 1-2 |   |      |
| CLS 1-3 |   |      |
| DLS 1-2 |   |      |
| DLS 1-3 |   |      |
| CTS 1-3 | CLOSING TORQUE SWITCH INTERRUPTS CONTROL IF MECHANICAL OVERLOAD OCCURS DURING CLOSING CYCLE |      |
| DTS 1-3 | OPENING TORQUE SWITCH INTERRUPTS CONTROL IF MECHANICAL OVERLOAD OCCURS DURING OPENING CYCLE |      |

- CLS: CLOSE LIMIT SWITCH (250VAC 6A)
- DLS: OPEN LIMIT SWITCH (250VAC 6A)
- CTS: CLOSE TORQUE SWITCH (250VAC 6A)
- DTS: OPEN TORQUE SWITCH (250 VAC 6A)
- TP: THERMAL PROTECTOR (250VAC 6A)

\*\* EACH ACTUATOR SHOULD BE POWERED THROUGH ITS OWN INDIVIDUAL SWITCH OR RELAY CONTACTS TO PREVENT CROSS-FEED BETWEEN TWO (2) OR MORE ACTUATORS

✗ TERMINAL POINTS 4, 5 AND 6 DISCONTINUED ON UNITS MFG. AFTER 5/02.

REFERENCED FROM DWG. NS-17000-A

**ABZ 15 THRU 250 LOCAL CONTROL UNIT WIRING DIAGRAM**

|                                  |              |                 |
|----------------------------------|--------------|-----------------|
| SCALE:                           | APPROVED BY: | DRAWN BY EC     |
| DATE: 6/22/98                    |              | REVISED 9/11/07 |
| <b>ABZ VALVES &amp; CONTROLS</b> |              |                 |
| 113 W. MAIN, MADISON, KS 66860   |              |                 |
| DRAWING NUMBER                   | REV          |                 |
| DRS14953                         | E            |                 |