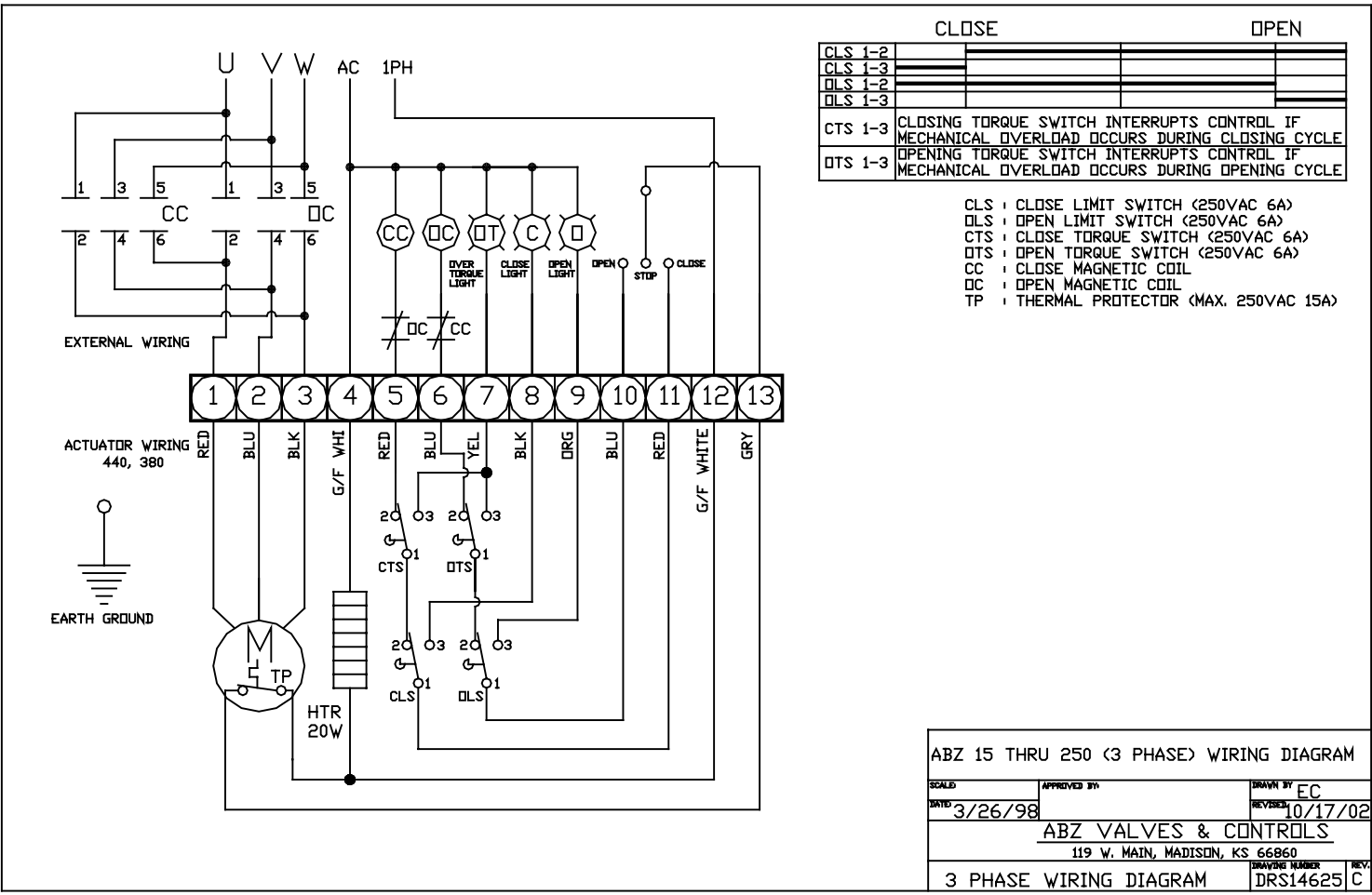


CLOSE

OPEN

| | | | |
|---------|---|--|--|
| CLS 1-2 | | | |
| CLS 1-3 | | | |
| OLS 1-2 | | | |
| OLS 1-3 | | | |
| CTS 1-3 | CLOSING TORQUE SWITCH INTERRUPTS CONTROL IF MECHANICAL OVERLOAD OCCURS DURING CLOSING CYCLE | | |
| DTS 1-3 | OPENING TORQUE SWITCH INTERRUPTS CONTROL IF MECHANICAL OVERLOAD OCCURS DURING OPENING CYCLE | | |

- CLS : CLOSE LIMIT SWITCH (250VAC 6A)
- OLS : OPEN LIMIT SWITCH (250VAC 6A)
- CTS : CLOSE TORQUE SWITCH (250VAC 6A)
- DTS : OPEN TORQUE SWITCH (250VAC 6A)
- CC : CLOSE MAGNETIC COIL
- OC : OPEN MAGNETIC COIL
- TP : THERMAL PROTECTOR (MAX. 250VAC 15A)



ABZ 15 THRU 250 (3 PHASE) WIRING DIAGRAM

| | | |
|----------------------------------|--------------------------|--------------|
| SCALE: | APPROVED BY: | DRAWN BY: EC |
| DATE: 3/26/98 | REVISED: 10/17/02 | |
| ABZ VALVES & CONTROLS | | |
| 119 W. MAIN, MADISON, KS 66860 | | |
| 3 PHASE WIRING DIAGRAM | DRAWING NUMBER: DRS14625 | REV: C |