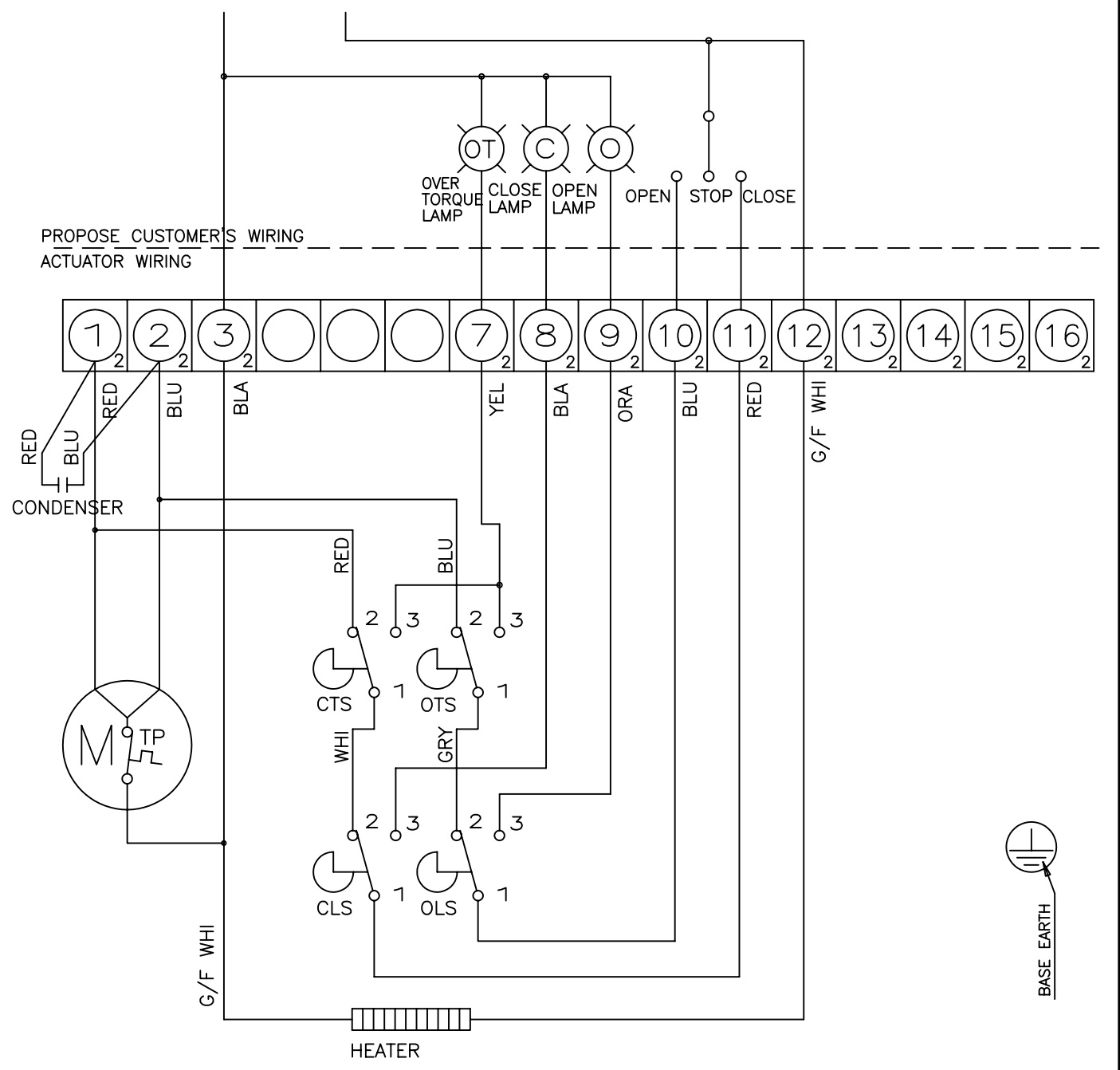


CLS : CLOSE LIMIT SWITCH (250VAC 15A)  
 OLS : OPEN LIMIT SWITCH (250VAC 15A)  
 CTS : CLOSE TORQUE SWITCH (250VAC 15A)  
 OTS : OPEN TORQUE SWITCH (250VAC 15A)  
 TP : THERMAL PROTECTOR (250VAC 15A)  
 \*EACH ACTUATOR SHOULD BE POWERED THROUGH ITS OWN INDIVIDUAL SWITCH OR RELAY CONTACTS TO PREVENT CROSS FEED BETWEEN TWO OR MORE ACTUATORS

CLS 1-2			
CLS 1-3			
OLS 1-2			
OLS 1-3			
CTS 1-3	* CLOSING TORQUE SWITCH INTERRUPTS CONTROL IF MECHANICAL OVERLOAD OCCURS DURING CLOSING CYCLE		
OTS 1-3	* OPENING TORQUE SWITCH INTERRUPTS CONTROL IF MACHANICAL OVERLOAD OCCURS DURING OPENING CYCLE		

AC 1PH ( V )



A250	1	DRAW	H.J KWON	△					
A100	1	APPD		SYM	E C N NO	CHANGES	DATE	SIGN	APPD
A060	1			ISSU.DEPT.	설 계 실	DATE '02.04.01	PART NAME 1PH WIRING DIAGRAM		
A028	1	<b>ABZ VALVES &amp; CONTROLS</b> 113 W. MAIN, MADISON, KS 66860 www.abzvalve.com				DWG NO. NS-11000-C			
A015	1								
APPLICATION									

