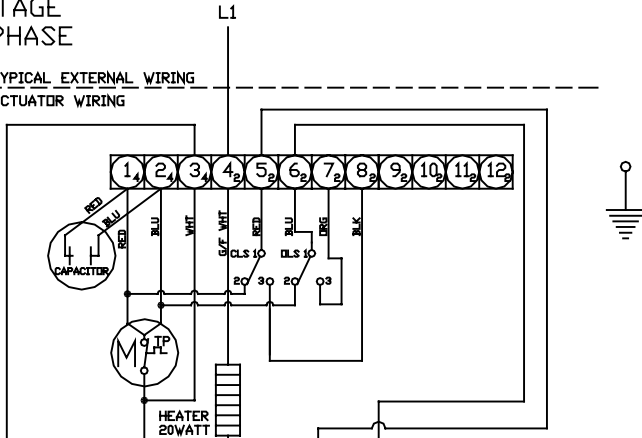


A.C. VOLTAGE SINGLE PHASE

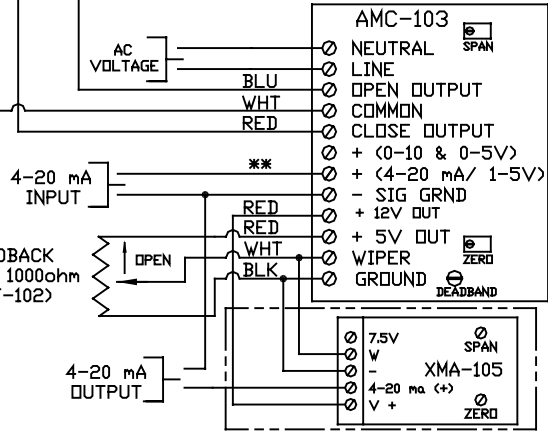
TYPICAL EXTERNAL WIRING
ACTUATOR WIRING



CLOSE OPEN

CLS 1-2			
CLS 1-3			
DLS 1-2			
DLS 1-3			

CLS : CLOSE LIMIT SWITCH (250VAC 6A)
DLS : OPEN LIMIT SWITCH (250VAC 6A)
TP : THERMAL PROTECTOR (MAX. 250VAC 15A)



WHEN CONVERTING A DIRECT ACTING ACTUATOR TO A REVERSE ACTING ACTUATOR, TWO CHANGES IN WIRING MUST BE MADE ON SERVO BOARD:

- 1-REVERSE THE RED AND BLACK POTENTIOMETER WIRES CONNECTED ON THE SERVO BOARD.
- 2-REVERSE THE BLUE AND RED MOTOR OUTPUT WIRES CONNECTED ON THE SERVO BOARD.

NOTE: DO NOT REVERSE THE INPUT SIGNAL POLARITY. ALSO, MAKE SURE THAT BOTH WIRING CHANGES ARE MADE - IF ONLY ONE IS MADE, THE ACTUATOR WILL RUN TO EITHER FULL OPEN OR FULL CLOSE.

AFTER THE WIRING CHANGES HAVE BEEN MADE, REFER TO CALIBRATION FOR SETTING THE ZERO AND SPAN.

- * MAX. LOAD RESISTANCE OF XMA 105 IS 300 OHMS
- ** WHEN USING 0-10 OR 0-5V CONTROL SIGNAL, MOVE WIRE UP ONE POINT, REF. MANUAL FOR JUMPER LOCATION

----- OPTIONAL

ABZ 6 & 9 WITH AMC-103 SERVO BOARD & XMA-105 FEEDBACK

SCALE:	APPROVED BY:	DRAWN BY: EC
DATE: 10/21/02		REVISED:
ABZ VALVE & CONTROLS		
113 W. MAIN, MADISON, KS 66860		
DRAWING NUMBER: 16860BRS	REV:	-