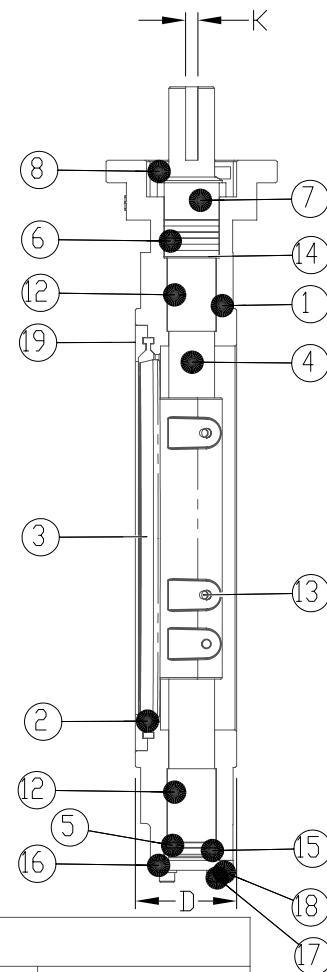
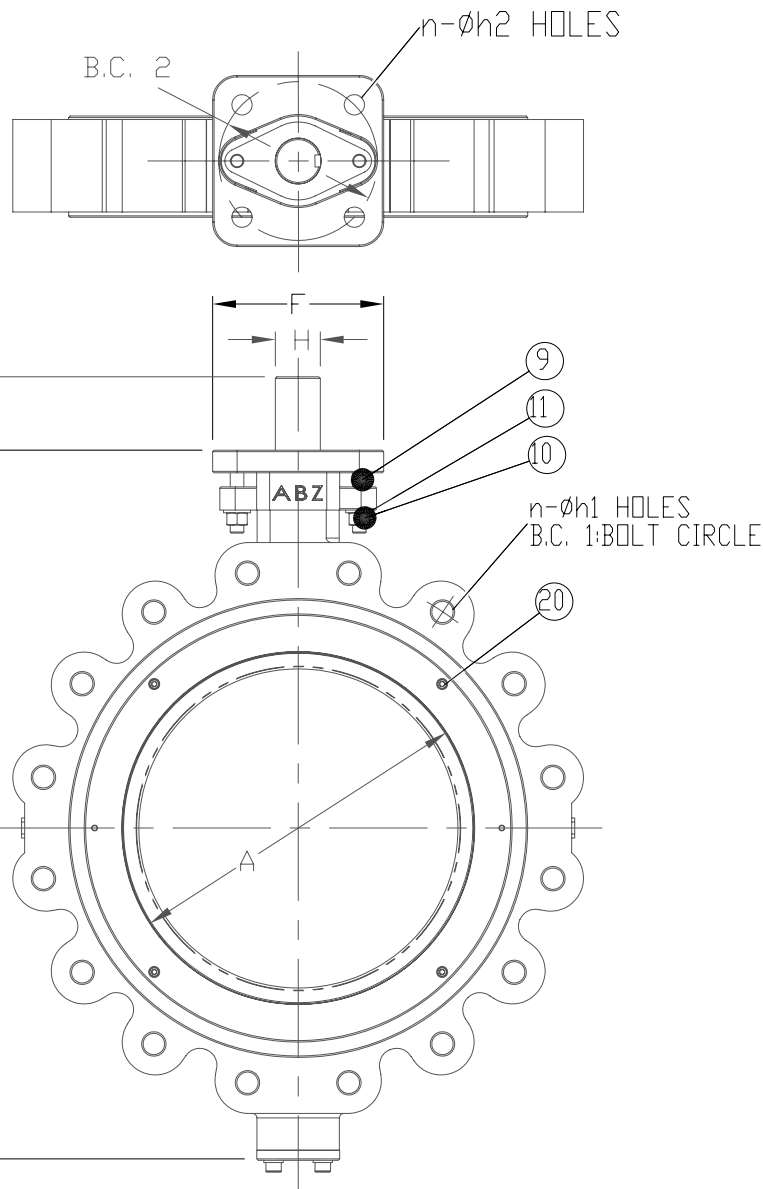
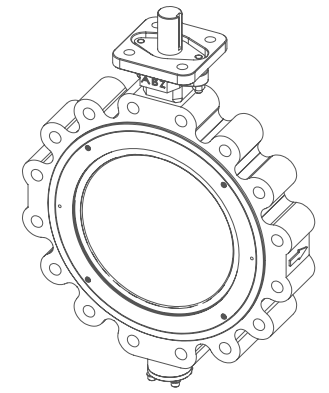


API Standard 609

PARTS SCHEDULE



ITEM NO.	NAME	MATERIAL	NO. REQ'D
1	BODY		1
2	SEAT RING		1
3	DISC		1
4	STEM		1
5	RETAINER RING		1
6	PACKING		1 SET
7	PACKING GLAND		1
8	GLAND FLANGE		1
9	GLAND BOLT		2
10	NUT		2
11	SPRING WASHER		2
12	BUSH BEARING		2
13	DISC PIN		2
14	PACKING RETAINER		1
15	CAP PACKING		1
16	CAP		1
17	CAP BOLT		4
18	SPRING WASHER		4
19	SEAT RETAINER		1
20	RETAINER BOLT		4



DIMENSIONS

VALVE SIZE		FLANGE DIMENSION								MOUNTING BASE					
INCH	MM	øA	C	C1	D	F	G	øH	K	B.C. 1	n	øh1	B.C. 2	n	øh2
14	350	12.48	13.19	11.81	3.62	5.98	2.24	1.375	.313 KEY	18.75	12	1-8 UNC	5.00	4	.550
16	400	14.13	15.47	13.39	4.02	8.03	3.00	1.875	.50 KEY	21.25	16	1-8 UNC	6.50	4	.830
18	450	16.38	16.81	14.76	4.49	8.03	3.00	1.875	.50 KEY	22.75	16	1 1/8-8 UNC	6.50	4	.830
20	500	18.39	17.72	15.75	5.00	8.03	3.00	2.122	.50 KEY	25.00	20	1 1/8-8 UNC	6.50	4	.830
24	600	21.57	20.87	18.70	6.06	11.42	4.02	2.555	.75x.50 KEY	29.50	20	1 1/4-8 UNC	10.00	8	.750

ABZ Valves & Controls

HIGH PERFORMANCE
 14"-24" FIGURE 402 VALVE
 DOUBLE OFFSET
 CLASS 150
 STANDARD LUGGED PATTERN
 DIMENSIONS SUBJECT TO
 CHANGE WITHOUT NOTICE

