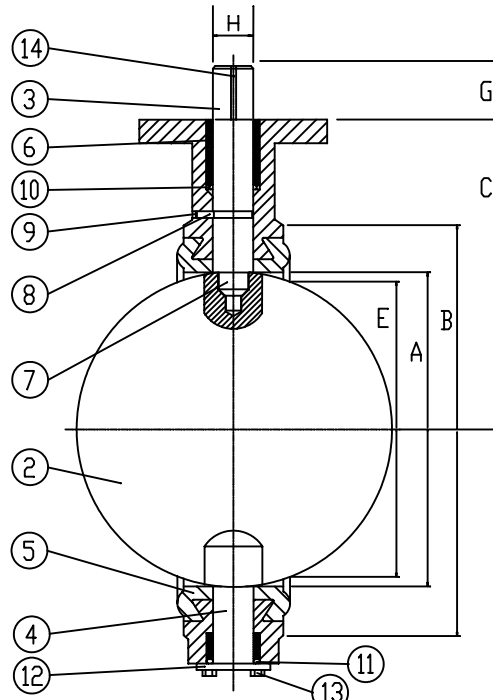
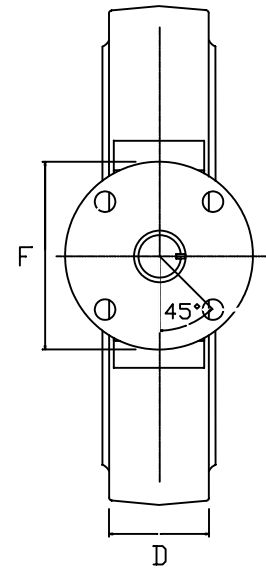


FLOW VIEW



SECTION



TOP VIEW

VALVE DIMENSIONS

| Size | A | B | C | D | E | F | G | H | Keyway | Weight | Top Plate Drilling | | |
|------|--------|---------|----------|-------|--------|---|-------|-------|-----------|--------|--------------------|--------------|-----------|
| | | | | | | | | | | | Bolt Circle | No. of Holes | Hole Dia. |
| 14" | 13 1/4 | 17 9/16 | 12 | 3 | 13 1/8 | 6 | 2 1/4 | 1 3/8 | 5/16x5/16 | 93 | 5 | 4 | 9/16 |
| 16" | 15 1/4 | 20 1/8 | 12 61/64 | 4 | 15 | 6 | 2 1/4 | 1 5/8 | 3/8x3/8 | 154 | 5 | 4 | 9/16 |
| 18" | 17 1/4 | 21 1/2 | 14 1/2 | 4 1/4 | 16 7/8 | 8 | 3 | 1 7/8 | 1/2x1/2 | 204 | 6 1/2 | 4 | 13/16 |
| 20" | 19 1/4 | 23 3/4 | 15 7/8 | 5 | 18 3/4 | 8 | 3 | 2 1/8 | 1/2x1/2 | 274 | 6 1/2 | 4 | 13/16 |

NOTES:

The figure 201 can not be used on a pipe or flange with an inside diameter less than the "E" dimension.

| Item No. | Name | No, Req'd | Material | Remarks |
|----------|--------------------|-----------|----------|---------|
| 1 | Wafer Body | 1 | | |
| 2 | Disc | 1 | | |
| 3 | Stem, Upper | 1 | | |
| 4 | Stem, Lower | 1 | | |
| 5 | Seat | 1 | | |
| 6 | Bushing | 2 | | |
| 7 | Square Drive Shaft | 1 | | |
| 8 | Stem Retainer | 1 | | |
| 9 | Item 8, O-Ring | 1 | | |
| 10 | Item 3 Seal | 1 | | |
| 11 | Item 4, O-Ring | 1 | | |
| 12 | Cap Plate | 1 | | |
| 13 | Cap Bolt | 2 | | |
| 14 | Key | 1 | | |

API Standard 609

BY DATE DESCRIPTION
REVISIONS

SUBASSEMBLY PART NUMBER

| Trim | Part | Size | Figure No. | Style |
|------|------|------|------------|-------|
| | | | | |
| | | | | |
| | | | | |

ABZ MANUFACTURING, INC.

14"-20" Figure 201 Valve
Standard Wafer Pattern

BODY: Wafer w/360° Top Plate
DISC: Standard
STEM: Two Piece w/Keyway
SEAT: Elastomer



DATE: 07-02-04

DRAWING NO. ED 201