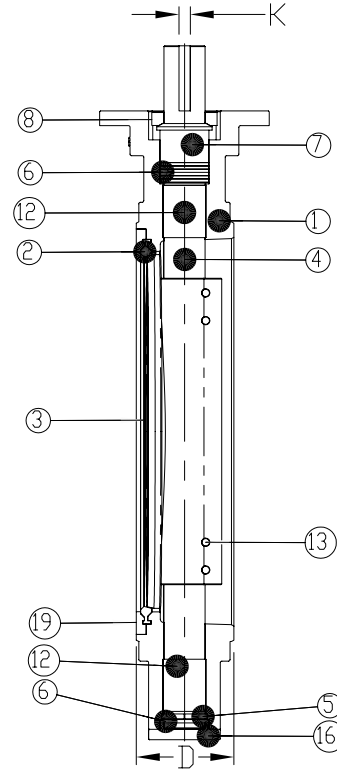
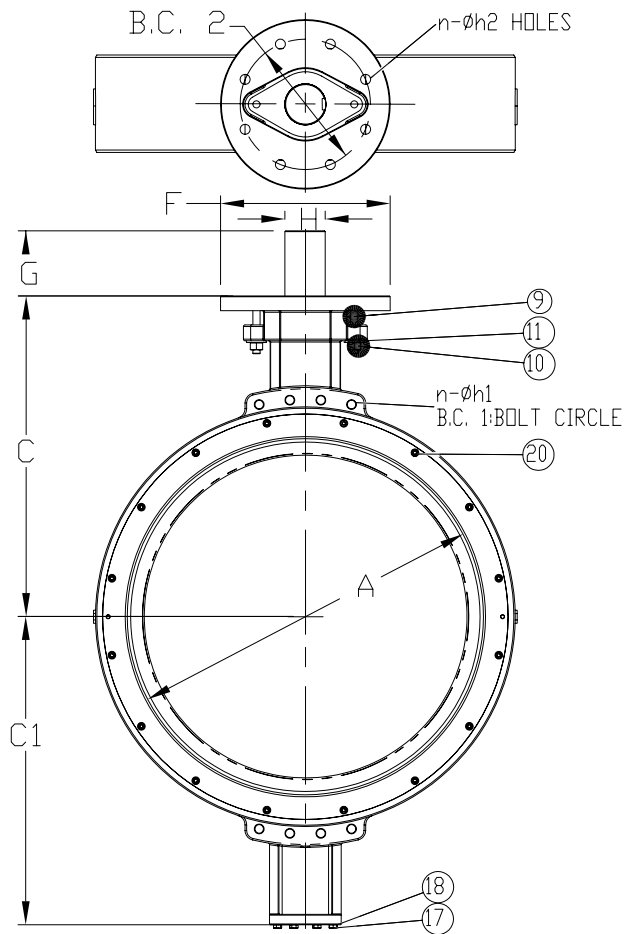


PARTS SCHEDULE

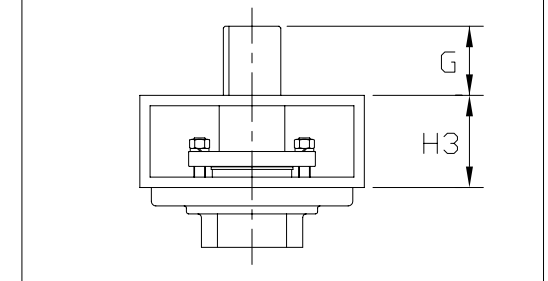


ITEM NO.	NAME	MATERIAL	NO. REQ'D
1	BODY		1
2	SEAT RING		1
3	DISC		1
4	STEM		1
5	RETAINER RING		1
6	PACKING		1 SET
7	PACKING GLAND		1
8	GLAND FLANGE		1
9	GLAND BOLT		2
10	NUT		2
11	SPRING WASHER		2
12	BUSH BEARING		2
13	DISC PIN		2
14	PACKING RETAINER		1
15	CAP PACKING		1
16	CAP		1
17	CAP BOLT		4
18	SPRING WASHER		4
19	SEAT RETAINER		1
20	RETAINER BOLT		4

DIMENSIONS

VALVE SIZE		ØA	C	C1	D	F	G	H3	ØH	K	FLANGE DIMENSION			MOUNTING BASE		
INCH	MM										B.C. 1	n	øh1	B.C. 2	n	øh2
26	650	23.46	20.87	18.90	6.50	11.42	4.02	-	2.56	.75x.50 KEY	29.31	8	3/4-10 UNC	10.0	8	.75
28	700	25.51	21.65	19.88	6.50	11.42	4.02	-	2.56	.75x.50 KEY	31.31	8	3/4-10 UNC	10.0	8	.75
30	750	27.32	23.23	20.87	7.48	12.99	4.45	-	3.15	.87x.55 KEY	33.31	8	3/4-10 UNC	10.0	8	.75
32	800	29.33	24.41	22.24	7.48	12.99	4.45	-	3.15	.87x.55 KEY	35.44	8	3/4-10 UNC	10.0	8	.75
34	850	31.93	25.98	24.21	7.99	12.99	4.45	-	3.15	.87x.55 KEY	37.69	8	7/8-9 UNC	10.0	8	.75
36	900	33.03	26.57	24.41	7.99	12.99	4.45	-	3.15	.87x.55 KEY	39.75	8	7/8-9 UNC	10.0	8	.75
38	950										42.12	8	1-8 UNC	10.0	8	.75
40	1000	37.32	29.92	28.54	8.50	-	4.72	5.91	3.93	1.10x.55 KEY	44.12	8	1-8 UNC	10.0	8	.75
42	1050	39.45	30.91	29.13	9.49	-	4.72	6.30	3.93	1.10x.55 KEY	46.12	8	1-8 UNC	11.73	8	.91
44	1100										48.12	8	1-8 UNC	11.73	8	.91
46	1150										50.56	8	1 1/8-8 UNC	11.73	8	.91
48	1200	45.20	35.04	32.28	10.0	-	4.72	6.30	3.93	1.10x.63 KEY	52.56	8	1 1/8-8 UNC	11.73	8	.91

40" & larger requires gland bracket



ABZ Valves & Controls

HIGH PERFORMANCE
26"-48" FIGURE 401 VALVE
DOUBLE OFFSET
CLASS 150 API STYLE B16.5
STANDARD WAFER PATTERN
DIMENSIONS SUBJECT TO
CHANGE WITHOUT NOTICE

