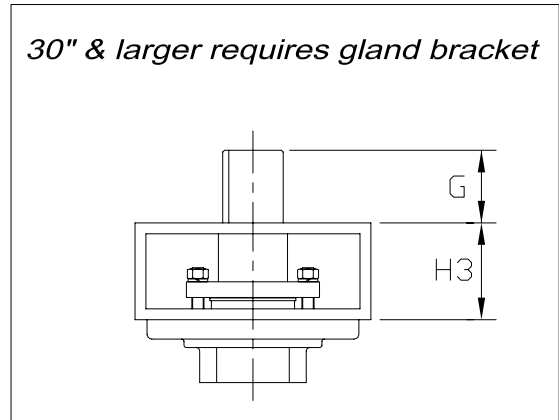


PARTS SCHEDULE

ITEM NO.	NAME	MATERIAL	NO. REQ'D
1	BODY		1
2	SEAT RING		1
3	DISC		1
4	STEM		1
5	RETAINER RING		1
6	PACKING		1 SET
7	PACKING GLAND		1
8	GLAND FLANGE		1
9	GLAND BOLT		2
10	NUT		2
11	SPRING WASHER		2
12	BUSH BEARING		2
13	DISC PIN		2
14	PACKING RETAINER		1
15	CAP PACKING		1
16	CAP		1
17	CAP BOLT		4
18	SPRING WASHER		4
19	SEAT RETAINER		1
20	RETAINER BOLT		4

DIMENSIONS

VALVE SIZE		FLANGE DIMENSION								MOUNTING BASE						
INCH	MM	øA	C	C1	D	F	G	H3	øH	K	B.C. 1	n	øh1	B.C. 2	n	øh2
26	650	23.70	24.80	22.05	8.27	12.99	4.45	-	3.145	.87x.55 KEY	34.50	28	1 5/8-8 UNC	10.0	8	.75
28	700															
30	750	27.40	25.59	25.98	9.06	-	4.72	6.30	3.933	1.10x.63 KEY	39.25	28	1 3/4-8 UNC	11.73	8	.91
32	800															
34	850															
36	900	33.15	29.92	29.72	10.75	-	5.31	6.30	4.719	1.26x.71 KEY	46.00	32	2-8 UNC	11.73	8	.91
38	950															
40	1000	36.77	30.71	29.84	11.81	-	5.31	6.69	4.719	1.26x.71 KEY	45.50	32	1 5/8-8 UNC	14.02	8	1.30
42	1050															
44	1100															
46	1150															
48	1200															



ABZ Valves & Controls

HIGH PERFORMANCE
 26"-48" FIGURE 422 VALVE
 DOUBLE OFFSET
 CLASS 300 MSS VERSION
 STANDARD LUGGED PATTERN
 DIMENSIONS SUBJECT TO
 CHANGE WITHOUT NOTICE

