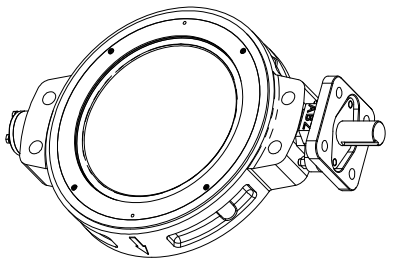
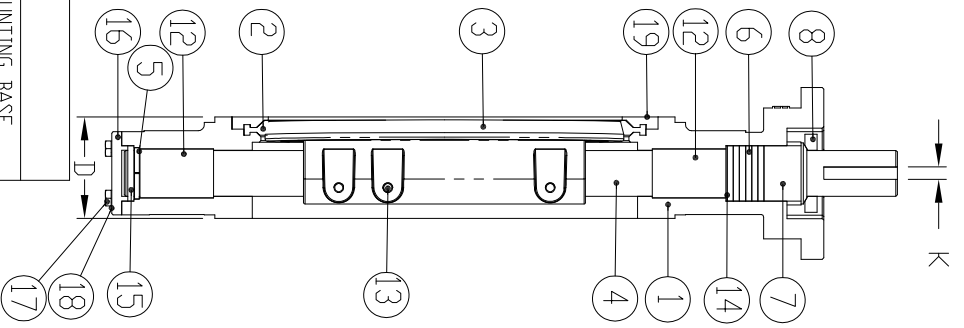
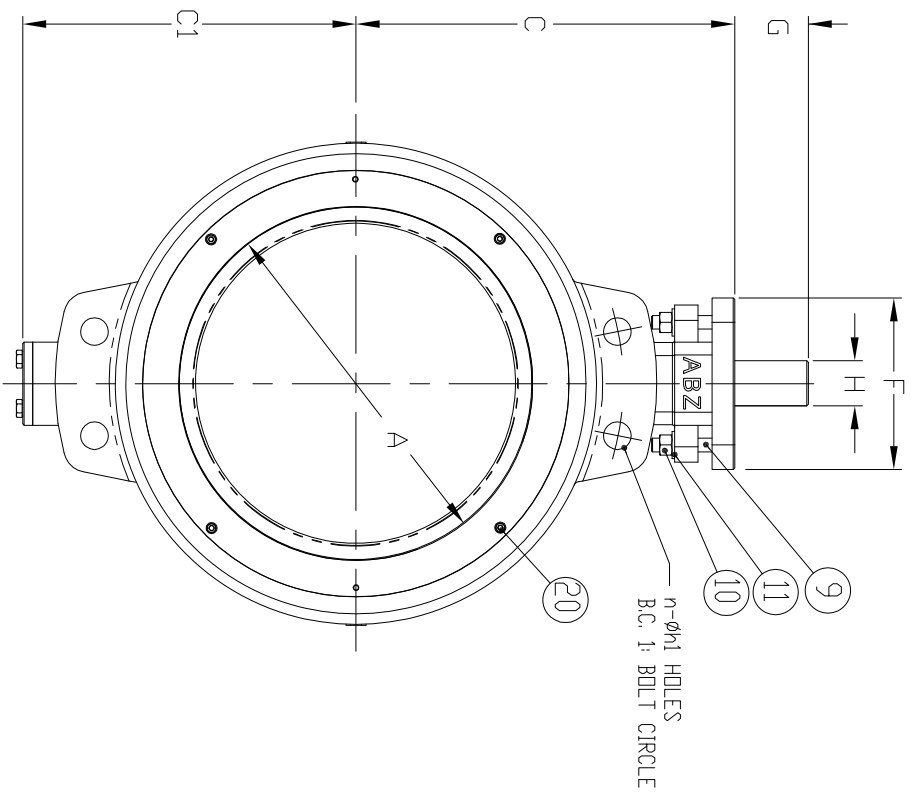
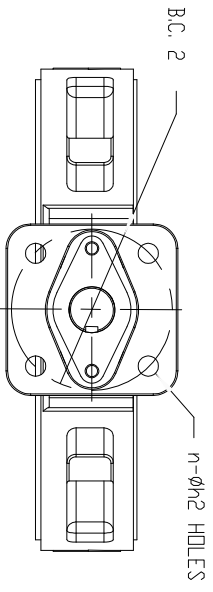


PARTS SCHEDULE

ITEM NO.	NAME	MATERIAL	NO. REQ'D
1	BODY		1
2	SEAT RING		1
3	DISC		1
4	STEM		1
5	RETAINER RING		1
6	PACKING		1 SET
7	PACKING GLAND		1
8	GLAND FLANGE		1
9	GLAND BOLT		2
10	NUIT		2
11	SPRING WASHER		2
12	BUSH BEARING		2
13	DISC PIN		2
14	PACKING RETAINER		1
15	CAP PACKING		1
16	CAP		1
17	CAP BOLT		4
18	SPRING WASHER		4
19	SEAT RETAINER		1
20	RETAINER BOLT		4



DIMENSIONS

VALVE SIZE		ØA	C	C1	D	F	G	ØH	K	FLANGE DIMENSION				MOUNTING BASE		
INCH	MM									B.C. 1	n	Øh1	B.C. 2	n	Øh2	
14	350	12.44	14.76	12.80	4.61	8.03	2.99	1.874	50x.50 KEY	20.25	4	1 1/8-8 UNC	6.50	4	.830	
16	400	14.09	16.73	14.37	5.24	8.03	2.99	2.122	50x.50 KEY	22.50	4	1 1/4-8 UNC	6.50	4	.830	
18	450	16.42	18.31	16.14	5.88	11.42	4.02	2.555	75x.50 KEY	24.75	4	1 1/4-8 UNC	10.00	8	.750	
20	500	18.35	19.88	17.72	6.26	11.42	4.02	2.555	75x.50 KEY	27.00	4	1 1/4-8 UNC	10.00	8	.750	
24	600	21.50	22.83	20.55	7.13	12.99	4.45	3.145	87x.55 KEY	32.00	4	1 1/2-8 UNC	10.00	8	.750	

ABZ Valves & Controls

HIGH PERFORMANCE
14"-24" FIGURE 421 VALVE
DOUBLE OFFSET
CLASS 300
STANDARD WAFER PATTERN
DIMENSIONS SUBJECT TO
CHANGE WITHOUT NOTICE

DATE: 06-05-07

REV:2

DRAWING NO. 14-24 300 FIG 421

