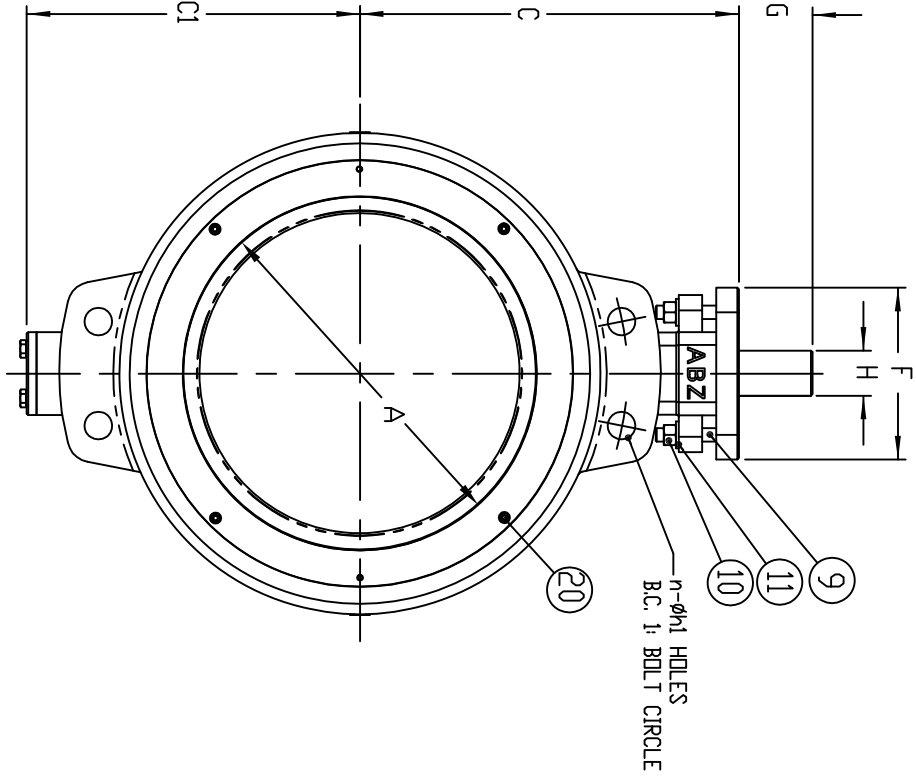
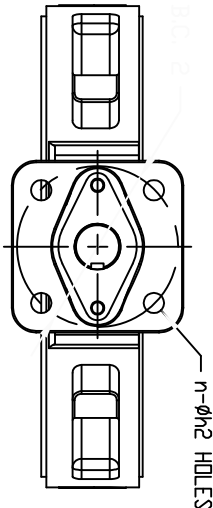


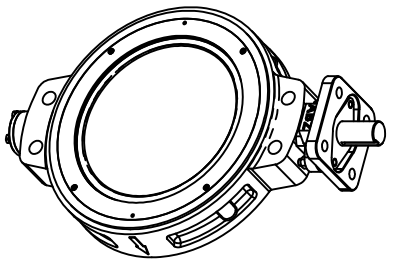
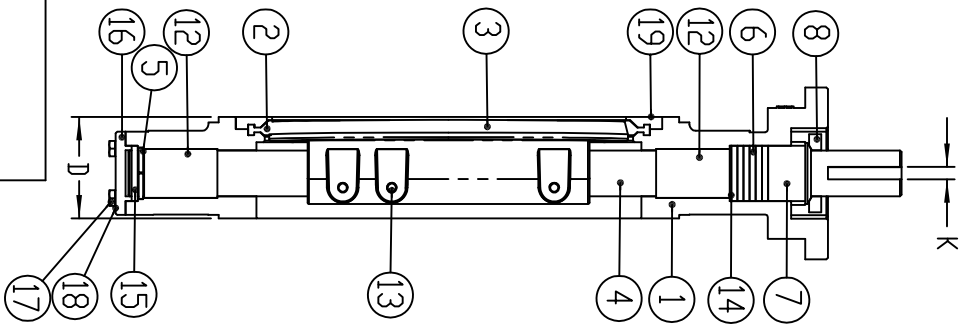
PARTS SCHEDULE

ITEM NO.	NAME	MATERIAL	NO. REQ'D
1	BODY		1
2	SEAT RING		1
3	DISC		1
4	STEM		1
5	RETAINER RING		1
6	PACKING		1 SET
7	PACKING GLAND		1
8	GLAND FLANGE		1
9	GLAND BOLT		2
10	NUT		2
11	SPRING WASHER		2
12	BUSH BEARING		2
13	DISC PIN		2
14	PACKING RETAINER		1
15	CAP PACKING		1
16	CAP		1
17	CAP BOLT		4
18	SPRING WASHER		4
19	SEAT RETAINER		1
20	RETAINER BOLT		4



DIMENSIONS

VALVE SIZE	DIMENSIONS										FLANGE DIMENSION			MOUNTING BASE		
	INCH	MM	ØA	C	C1	D	F	G	ØH	K	B.C. 1	n	Øh1	B.C. 2	n	Øh2
14	350	1205	17.13	14.57	6.10	11.42	4.02	2.5555	.75x.50 KEY	20.75	4	-	10.00	8	.750	
16	400	1425	19.09	16.54	7.01	11.42	4.02	2.5555	.75x.50 KEY	23.75	4	-	10.00	8	.750	
18	450	1591	19.69	17.72	7.87	11.42	4.02	2.5555	.75x.50 KEY	25.75	4	-	10.00	8	.750	
20	500	1772	19.69	19.29	8.50	-	4.72	3.146	.87x.55 KEY	28.50	4	-	10.00	8	.750	
24	600	2150	23.83	23.03	9.13	-	6.30	3.933	1.00x.63 KEY	33.00	4	-	11.73	8	.910	



ABZ Valves & Controls

HIGH PERFORMANCE
14"-24" FIGURE 451 VALVE
DOUBLE OFFSET
CLASS 600
STANDARD WAFER PATTERN
DIMENSIONS SUBJECT TO
CHANGE WITHOUT NOTICE



DATE: 06-01-07 REV: 1 DRAWING NO. 14-24 600 FIG 451