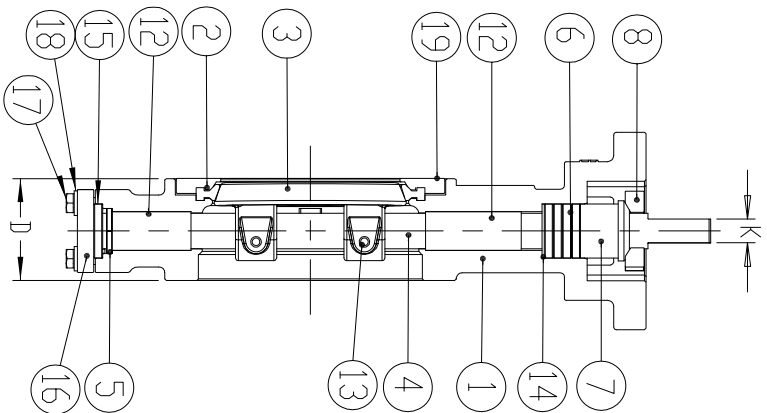
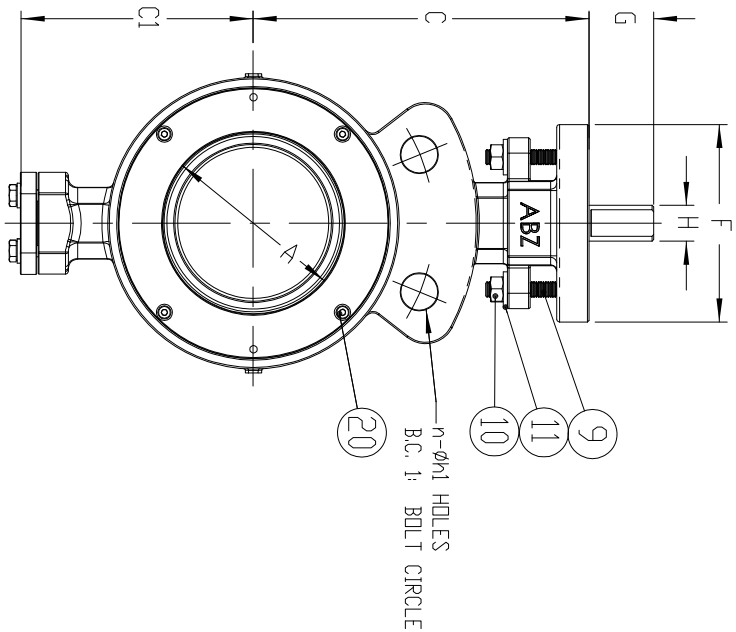
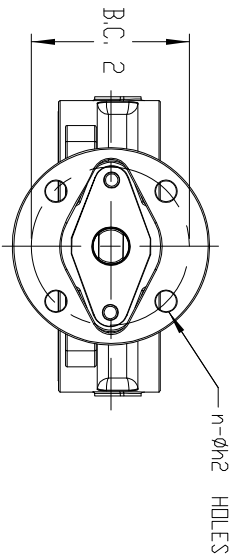


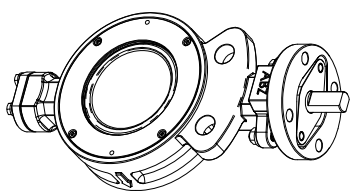
PARTS SCHEDULE

ITEM NO.	NAME	MATERIAL	NO. REQ'D
1	BODY		1
2	SEAT RING		1
3	DISC		1
4	STEM		1
5	RETAINER RING		1
6	PACKING		1 SET
7	PACKING GLAND		1
8	GLAND FLANGE		1
9	GLAND BOLT		2
10	NUT		2
11	SPRING WASHER		2
12	BUSH BEARING		2
13	DISC PIN		2
14	PACKING RETAINER		1
15	CAP PACKING		1
16	CAP		1
17	CAP BOLT		4
18	SPRING WASHER		4
19	SEAT RETAINER		1
20	RETAINER BOLT		4



DIMENSIONS

VALVE SIZE		φA	C	C1	D	φF	G	φH	K	FLANGE DIMENSION			MOUNTING BASE		
INCH	MM									B.C. 1	n	φh1	B.C. 2	n	φh2
2	50	185	4.92	3.94	1.69	4.02	1.25	.551	.374	4.75	2	.75	3.25	4	.43
2.5	65	240	5.87	4.02	1.85	4.02	1.25	.626	.437	5.50	2	.75	3.25	4	.43
3	80	283	6.30	4.41	1.89	4.02	1.25	.626	.437	6.00	2	.75	3.25	4	.43
4	100	374	7.01	4.88	2.13	4.02	1.25	.748	.500	7.50	2	.75	3.25	4	.43
5	125	465	7.60	5.55	2.24	4.02	1.25	.748	.500	8.50	2	.875	3.25	4	.43
6	150	543	8.39	6.57	2.24	4.02	1.25	.748	.500	9.50	2	.875	3.25	4	.43
8	200	740	9.45	7.68	2.52	5.98	1.25	.874	.626	11.75	2	.875	5.00	4	.55
10	250	925	11.03	8.66	2.83	5.98	2.05	1.126	1/4x1/4 KEY	14.25	2	1.00	5.00	4	.55
12	300	1083	12.20	10.43	3.19	5.98	2.05	1.126	1/4x1/4 KEY	17.00	2	1.00	5.00	4	.55



ABZ Valves & Controls

HIGH PERFORMANCE
2-1/2" FIGURE 401 VALVE
DOUBLE OFFSET
CLASS 150
STANDARD WAFER PATTERN
DIMENSIONS SUBJECT TO
CHANGE WITHOUT NOTICE

