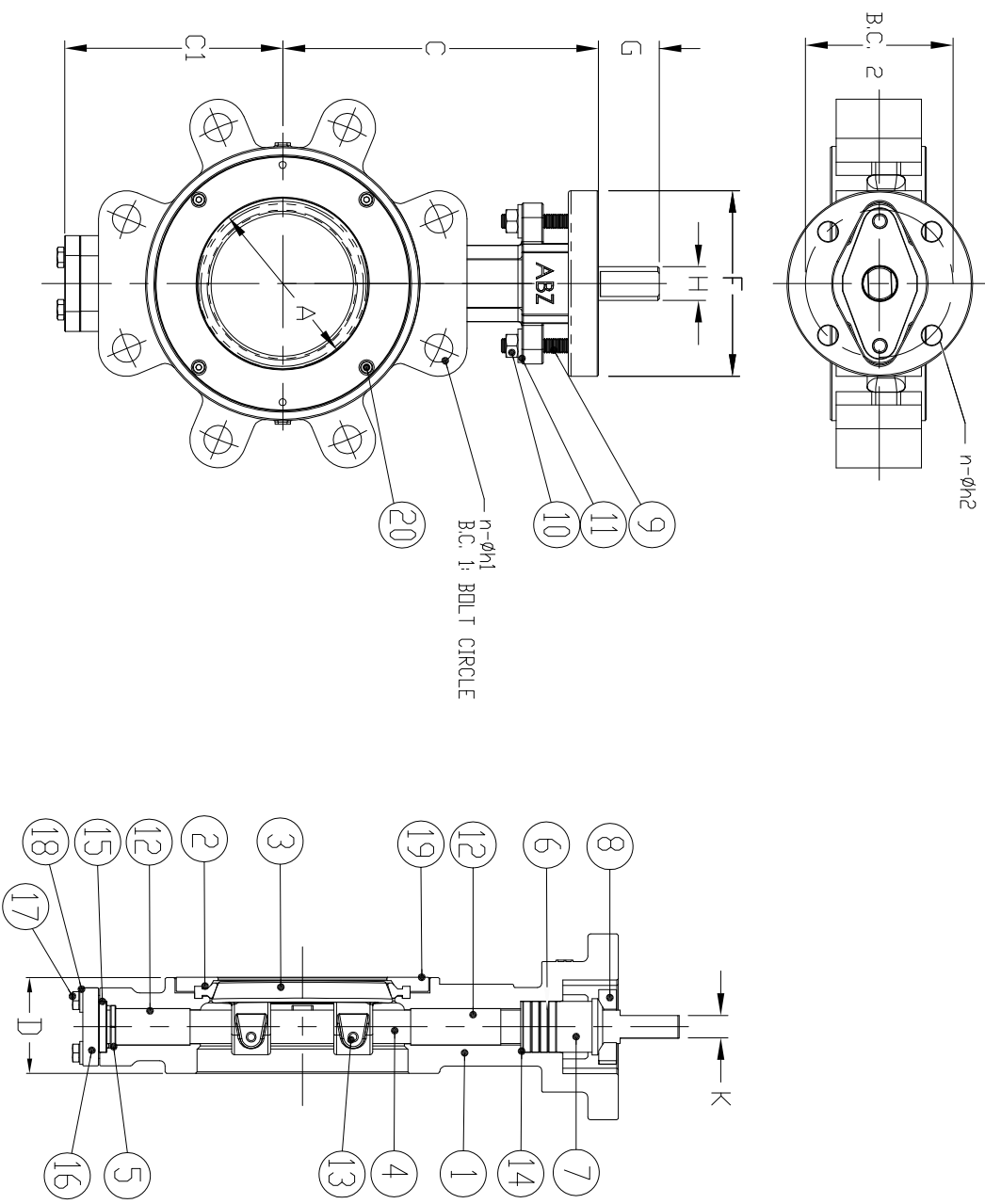


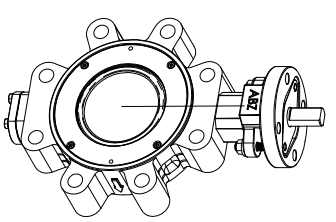
PARTS SCHEDULE

ITEM NO.	NAME	MATERIAL	QTY	NO. REV'D
1	BODY		1	1
2	SEAT RING		1	1
3	DISC		1	1
4	STEM		1	1
5	RETAINER RING		1	1
6	PACKING		1 SET	
7	PACKING GLAND		1	1
8	GLAND FLANGE		1	1
9	GLAND BOLT		2	2
10	NUT		2	2
11	SPRING WASHER		2	2
12	BUSH BEARING		2	2
13	DISC PIN		2	2
14	PACKING RETAINER		1	1
15	CAP PACKING		1	1
16	CAP		1	1
17	CAP BOLT		4	4
18	SPRING WASHER		4	4
19	SEAT RETAINER		1	1
20	RETAINER BOLT		4	4



DIMENSIONS

VALVE SIZE	DIMENSIONS										FLANGE DIMENSION			MOUNTING BASE		
	INCH	MM	ØA	C	C1	D	ØF	G	ØH	K	B.C. 1	n	Øh1	B.C. 2	n	Øh2
2	50	125	185	4.92	3.94	1.69	4.02	1.26	.551	.374	5.00	8	5/8"-11 UNC	3.25	4	.43
2.5	65	165	236	5.87	4.02	1.85	4.02	1.26	.626	.437	5.88	8	3/4"-10 UNC	3.25	4	.43
3	80	203	287	6.30	4.41	1.89	4.02	1.26	.626	.437	6.62	8	3/4"-10 UNC	3.25	4	.43
4	100	254	374	7.01	4.88	2.13	4.02	1.26	.748	.500	7.88	8	3/4"-10 UNC	3.25	4	.43
5	125	318	469	7.60	5.55	2.25	4.02	1.26	.748	.500	9.25	8	3/4"-10 UNC	3.25	4	.43
6	150	381	547	8.66	6.93	2.32	4.02	1.26	.748	.500	10.62	12	3/4"-10 UNC	3.25	4	.43
8	200	508	736	10.24	8.46	2.88	5.98	2.01	1.126	.25x.25 KEY	13.00	12	7/8"-9 UNC	5.00	4	.55
10	250	635	921	11.42	9.53	3.27	5.98	2.01	1.126	.25x.25 KEY	15.25	16	1"-8 UNC	5.00	4	.55
12	300	762	1083	12.80	10.75	3.62	5.98	2.01	1.374	.31x.31 KEY	17.75	16	1 1/8"-8 UNC	5.00	4	.55



ABZ Valves & Controls

HIGH PERFORMANCE
2"-12" FIGURE 422 VALVE
DOUBLE OFFSET
CLASS 300
STANDARD LUGGED PATTERN
DIMENSIONS SUBJECT TO
CHANGE WITHOUT NOTICE



DATE: 06-01-07

REV:2

DRAWING NO. 2-12 300# 422