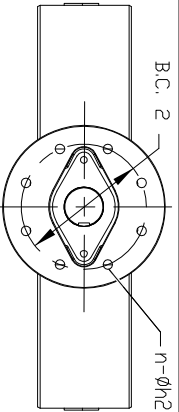
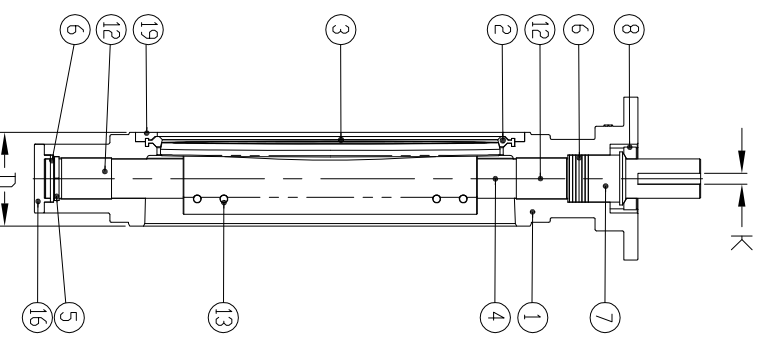
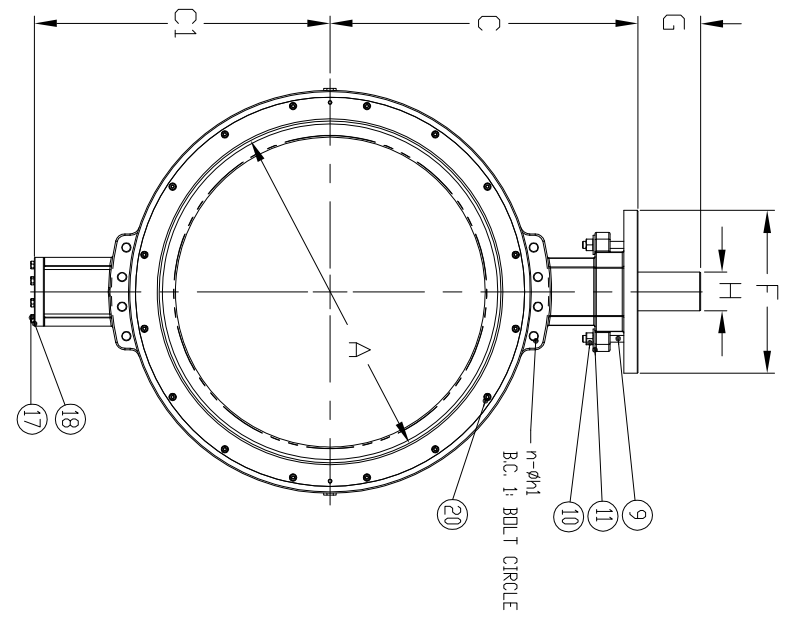


B.C. 2
n- ϕ n2 HOLES



API Standard 609



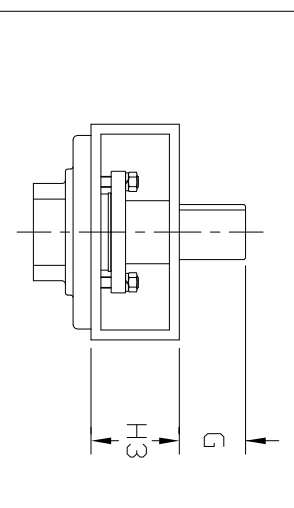
DIMENSIONS

| VALVE SIZE | DIMENSIONS | | | | | | | | | | FLANGE DIMENSION | | | MOUNTING BASE | | |
|------------|------------|-------|----------|-------|------|-------|------|------|------|-------------|------------------|--------|-------------|---------------|--------|-----|
| | INCH | MM | ϕ A | C | C1 | D | F | G | H3 | ϕ H | K | B.C. 1 | n | ϕ n1 | B.C. 2 | n |
| 26 | 650 | 23,46 | 20,87 | 18,90 | 6,50 | 11,42 | 4,02 | - | 2,56 | .75x.50 KEY | 29,31 | 8 | 3/4-10 UNC | 10,0 | 8 | .75 |
| 28 | 700 | 25,51 | 21,65 | 19,88 | 6,50 | 11,42 | 4,02 | - | 2,56 | .75x.50 KEY | 31,31 | 8 | 3/4-10 UNC | 10,0 | 8 | .75 |
| 30 | 750 | 27,32 | 23,23 | 20,87 | 7,48 | 12,99 | 4,45 | - | 3,15 | .87x.55 KEY | 33,31 | 8 | 3/4-10 UNC | 10,0 | 8 | .75 |
| 32 | 800 | 29,33 | 24,41 | 22,24 | 7,48 | 12,99 | 4,45 | - | 3,15 | .87x.55 KEY | 35,44 | 8 | 3/4-10 UNC | 10,0 | 8 | .75 |
| 34 | 850 | 31,93 | 25,98 | 24,21 | 7,99 | 12,99 | 4,45 | - | 3,15 | .87x.55 KEY | 37,69 | 8 | 7/8-9 UNC | 10,0 | 8 | .75 |
| 36 | 900 | 33,03 | 26,57 | 24,41 | 7,99 | 12,99 | 4,45 | - | 3,15 | .87x.55 KEY | 39,75 | 8 | 7/8-9 UNC | 10,0 | 8 | .75 |
| 38 | 950 | | | | | | | | | | 42,12 | 8 | 1-8 UNC | 10,0 | 8 | .75 |
| 40 | 1000 | 37,32 | 29,92 | 28,54 | 8,50 | - | 4,72 | 5,91 | 3,93 | 110x.55 KEY | 44,12 | 8 | 1-8 UNC | 10,0 | 8 | .75 |
| 42 | 1050 | 39,45 | 30,91 | 29,13 | 9,49 | - | 4,72 | 6,30 | 3,93 | 110x.55 KEY | 46,12 | 8 | 1-8 UNC | 11,73 | 8 | .91 |
| 44 | 1100 | | | | | | | | | | 48,12 | 8 | 1-8 UNC | 11,73 | 8 | .91 |
| 46 | 1150 | | | | | | | | | | 50,56 | 8 | 1 1/8-8 UNC | 11,73 | 8 | .91 |
| 48 | 1200 | 45,20 | 35,04 | 32,28 | 10,0 | - | 4,72 | 6,30 | 3,93 | 110x.53 KEY | 52,56 | 8 | 1 1/8-8 UNC | 11,73 | 8 | .91 |

PARTS SCHEDULE

| ITEM NO. | NAME | MATERIAL | NO. REQ'D |
|----------|------------------|----------|-----------|
| 1 | BODY | | 1 |
| 2 | SEAT RING | | 1 |
| 3 | DISC | | 1 |
| 4 | STEM | | 1 |
| 5 | RETAINER RING | | 1 |
| 6 | PACKING | | 1 SET |
| 7 | PACKING GLAND | | 1 |
| 8 | GLAND FLANGE | | 1 |
| 9 | GLAND BOLT | | 2 |
| 10 | NUT | | 2 |
| 11 | SPRING WASHER | | 2 |
| 12 | BUSH BEARING | | 2 |
| 13 | DISC PIN | | 2 |
| 14 | PACKING RETAINER | | 1 |
| 15 | CAP PACKING | | 1 |
| 16 | CAP | | 1 |
| 17 | CAP BOLT | | 4 |
| 18 | SPRING WASHER | | 4 |
| 19 | SEAT RETAINER | | 1 |
| 20 | RETAINER BOLT | | 4 |

40" & larger requires gland bracket



ABZ Valves & Controls

HIGH PERFORMANCE
26"-48" FIGURE 401 VALVE
DOUBLE OFFSET
CLASS 150 API STYLE B16.5
STANDARD WAFER PATTERN
DIMENSIONS SUBJECT TO
CHANGE WITHOUT NOTICE

DATE: 06-07-07 REV: 2 DRAWING NO. 26-48 150 FIG 401 API

