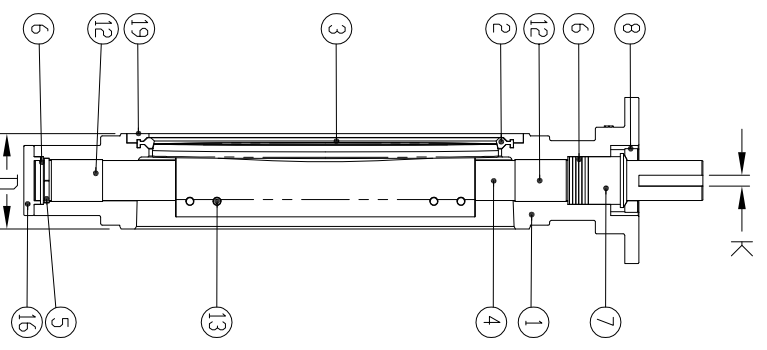
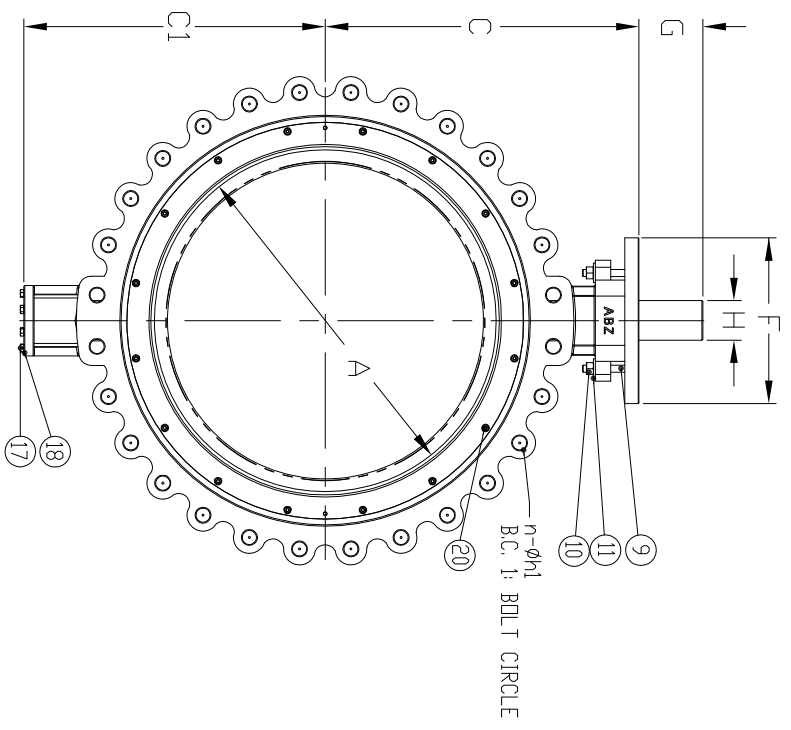
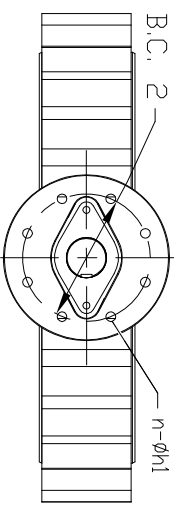


MSS DESIGN



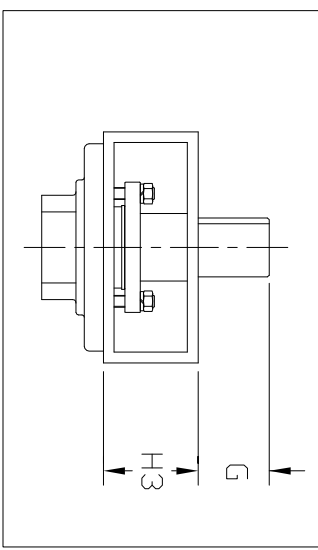
DIMENSIONS

VALVE SIZE	INCH	MM	ØA	C	C1	D	F	G	H3	ØH	K	FLANGE DIMENSION			MOUNTING BASE		
												B.C. 1	n	φh1	B.C. 2	n	φh2
26	650	2346	22.44	20.79	6.50	11.42	4.02	-	2.56	75x50 KEY	31.75	24	1 1/4-8 UNC	10.0	8	.75	
28	700	2551	23.62	21.85	6.50	11.42	4.02	-	2.56	75x50 KEY	34.00	28	1 1/4-8 UNC	10.0	8	.75	
30	750	2732	25.39	23.03	7.48	12.99	4.45	-	3.15	87x55 KEY	36.00	28	1 1/4-8 UNC	10.0	8	.75	
32	800	2933	26.38	24.21	7.48	12.99	4.45	-	3.15	87x55 KEY	38.50	28	1 1/2-8 UNC	10.0	8	.75	
34	850	3193	27.56	26.18	7.99	12.99	4.45	-	3.15	87x55 KEY	40.50	32	1 1/2-8 UNC	10.0	8	.75	
36	900	3303	28.74	26.38	7.99	12.99	4.45	-	3.15	87x55 KEY	42.75	32	1 1/2-8 UNC	10.0	8	.75	
38	950																
40	1000	3732	30.12	30.12	8.50	12.99	4.49	5.91	3.15	110x55 KEY	47.25	36	1 1/2-8 UNC	10.0	8	.75	
42	1050	3945	30.71	31.10	9.49	13.78	4.49	6.30	3.15	110x55 KEY	49.50	36	1 1/2-8 UNC	11.73	8	.91	
44	1100																
46	1150																
48	1200	4520	34.65	35.43	10.0	13.78	4.72	6.30	3.94	110x63 KEY	56.00	44	1 1/2-8 UNC	11.54	8	.91	

PARTS SCHEDULE

ITEM NO.	NAME	MATERIAL	NO. REQ'D
1	BODY		1
2	SEAT RING		1
3	DISC		1
4	STEM		1
5	RETAINER RING		1
6	PACKING		1 SET
7	PACKING GLAND		1
8	GLAND FLANGE		1
9	GLAND BOLT		2
10	NUT		2
11	SPRING WASHER		2
12	BUSH BEARING		2
13	DISC PIN		2
14	PACKING RETAINER		1
15	CAP PACKING		1
16	CAP		1
17	CAP BOLT		4
18	SPRING WASHER		4
19	SEAT RETAINER		1
20	RETAINER BOLT		4

40" & larger requires gland bracket



ABZ Valves & Controls

HIGH PERFORMANCE
26"-48" FIGURE 402 VALVE
DOUBLE OFFSET
CLASS 150 MSS STYLE
STANDARD LUGGED PATTERN
DIMENSIONS SUBJECT TO
CHANGE WITHOUT NOTICE

