

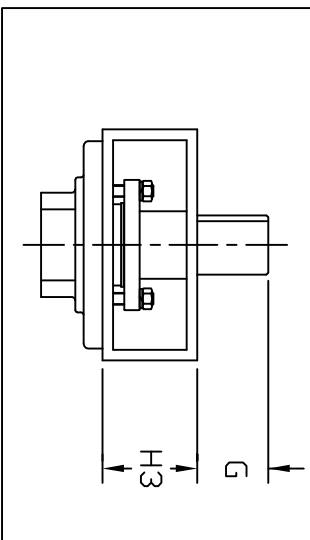
DIMENSIONS

VALVE SIZE	INCH	MM	ØA	C	C1	D	F	G	H3	ØH	K	FLANGE DIMENSION				MOUNTING BASE		
												B.C. 1	n	Øh1	B.C. 2	n	Øh2	
26	650	23.70	23.03	20.67	8.27	12.99	4.45	-	-	3.146	Ø7x.55 KEY	31.62	8	1 1/4-8 UNC	100	8	.75	
28	700										110x.63 KEY	36.25	8	1 3/8-8 UNC	11.73	8	.91	
30	750	27.40	24.02	23.62	9.06	-	4.72	6.30	-	3.933								
32	800																	
34	850																	
36	900	33.15	29.53	27.95	10.75	-	5.31	6.30	-	4.719	126x.71 KEY	42.88	8	1 5/8-8 UNC	11.73	8	.91	
38	950																	
40	1000	36.77	32.28	31.02	11.81	-	5.31	6.69	-	4.719	126x.71 KEY	46.88	8	1 5/8-8 UNC	14.02	8	1.30	
42	1050	38.58	37.80	37.01	11.81	-	7.09	6.69	-	5.507	142x.79 KEY	49.00	8	1 3/4-8 UNC	14.02	8	1.30	
44	1100																	
46	1150																	
48	1200																	

PARTS SCHEDULE

ITEM NO.	NAME	MATERIAL	QTY	REQD
1	BODY		1	1
2	SEAT RING		1	1
3	DISC		1	1
4	STEM		1	1
5	RETAINER RING		1	1
6	PACKING		1 SET	1
7	PACKING GLAND		1	1
8	GLAND FLANGE		1	1
9	GLAND BOLT		2	2
10	NUT		2	2
11	SPRING WASHER		2	2
12	BUSH BEARING		2	2
13	DISC PIN		2	2
14	PACKING RETAINER		1	1
15	CAP PACKING		1	1
16	CAP		1	1
17	CAP BOLT		4	4
18	SPRING WASHER		4	4
19	SEAT RETAINER		1	1
20	RETAINER BOLT		4	4

30" & larger requires gland bracket



ABZ Valves & Controls

HIGH PERFORMANCE
26"-48" FIGURE 421 VALVE
DOUBLE OFFSET
CLASS 300 API VERSION
STANDARD WAFER PATTERN
DIMENSIONS SUBJECT TO
CHANGE WITHOUT NOTICE

DATE: 06-07-07 REV: 2 DRAWING NO. 26-48 300 FIG 421 API

