

CSA Approved

The WATCHMAN VPT has been designed to provide the most visible and reliable valve position indication for general purpose applications. Check out the unique features:

- Clear Ektar cover offers excellent chemical resistance and strength
- Environmentally sealed indicator on the top of the unit prevents fogging or entry of contaminants
- Indicator is 100% adjustable to any valve or actuator
- Internal Switches and terminal block are labeled for easier installation
- Indicator shaft is secured to the housing with Moniteur's engineered Loc-Ring Cam and Shaft Retention System, ensuring sensing accuracy
- The industry's only "true" visual valve position indicator available for multi-port valves, adjustable to match the physical location of the valve
- "Flat cover" version available without indicator
- Optional thermoplastic quick-mount bracket for NAMUR actuators
- Available with Moniteur's wide variety of switches and sensors for today's advanced control systems

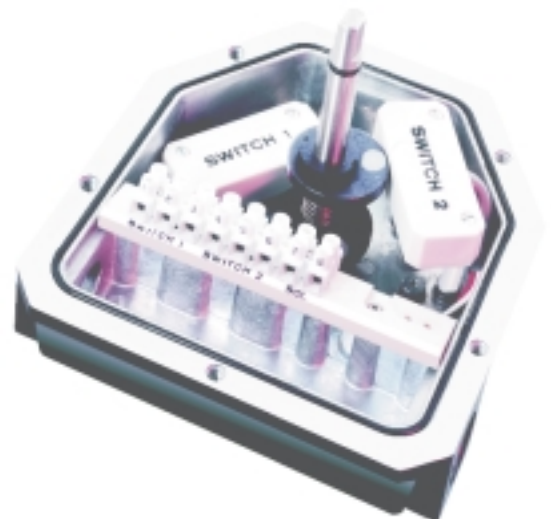
rated nema 4, 4x



Visual Indicator Options

Black / Yellow		3-way Path O	
Green / Red		3-way Path T	
Red / Green		3-way Path F	
ANSI Red / White		4-way Path S	
ANSI Green / White		180°	
ANSI Blue / White		120°	

Please see other side for ordering information.



Moniteur

WATCHMAN - VPT

Intelligent Part Number System

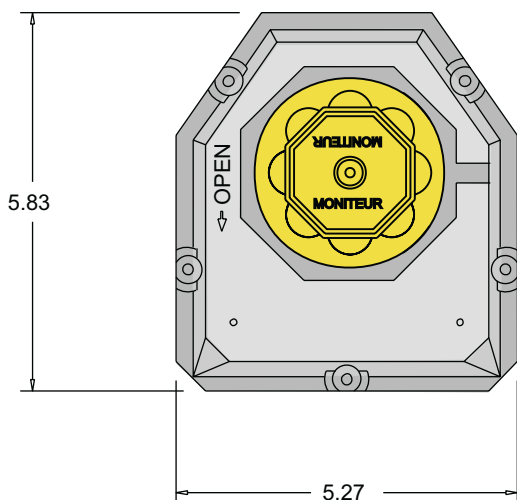
F	M	Y	B	-	5	1	2	0
<i>Series</i>	<i>Cover</i>	<i>Moniteur</i>	<i>Bearing</i>		<i>Shaft</i>	<i>Switch</i>	<i>Quantity</i>	<i>Conduit</i>

Base unit includes:	Black / Yellow indicator Aluminum Enclosure (2) 1/2" NPT conduit entries	2 SPDT 15A mechanical switches Bronze bearings Low profile NAMUR shaft
----------------------------	--------------------------------------------------------------------------------	------------------------------------------------------------------------------

Description	Code	Description	Code	Description	Code
Series: Watchman	F	Bearing		Rhodium TTL 1A	
Cover		303 Stainless Steel	S	SPDT Non-Contact	T
Moniteur	M	Shaft		Bifurcated TTL	
Flat Cover	F	Standard 303 SS	1	SPST Non-Contact	B
Moniteur		Standard 316 SS	3	P&F NJ2-V3 NAMUR	
No Indicator	N	NAMUR 303 SS	5	Inductive Sensor	8
Black / Yellow	Y	NAMUR 316 SS	7	Moniteur NEO-X 0.3A	
3-Way Path O,T, F	O,T, F	Long NAMUR 303 SS	E	NO Sensor	A
4-Way Path	S	Switch Type (2 switches)		Switch Quantity	1-4
180 degree T port	1	Cherry 15A		Conduit	
120 degree	3	SPDT Mechanical	1	(2) 1/2" F NPT	0
Green / White	G	Tungsten TTL 3A		(3) 1/2" F NPT	6
Red / White	R	SPDT Non-Contact	2	(1) 1/2" F + (1) 1/2" M NPT	8
Blue / White	B	Prism Gold Plated 1A		Options	
Green / Red	A	SPDT Mechanical	3	Current 4 - 20mA	- 420
Red / Green	C	ITW 10A		Resistive 0 - 1k	- 1K
0-100%	P	DPDT Mechanical	4	High Temperature	- T1

Dimensions

Top View



Side View

